

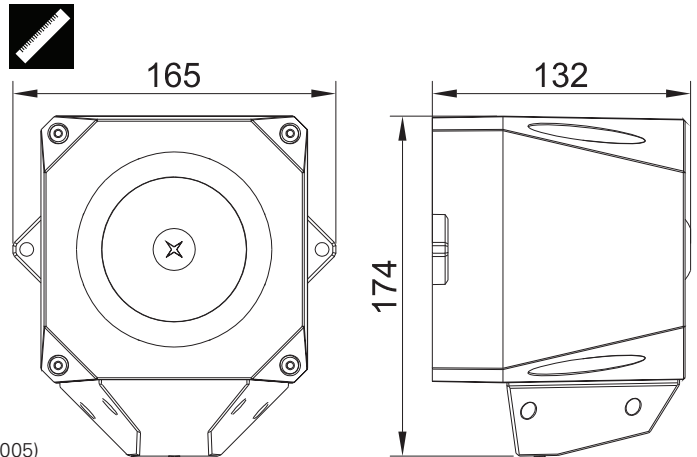


Technical Data

Specification	Sounder	Beacon
Operation	Continuous	Continuous
Operating Voltage Range	9Vdc-15Vdc (Non-fire) 15Vdc-60Vdc (EN54-3)	9Vdc-15Vdc (Non-fire) 15Vdc-60Vdc (EN54-3)
Output	See table overleaf	1 Hz Flash @2.5 Joules
Current Consumption	See table overleaf	615mA@9V - 90mA@60V
Tones	32 - See table overleaf	N/A
Operating Temperature	-25°C to +70°C	-25°C to +70°C
Live Monitoring Method	Polarised Input	Polarised Input
Construction	ABS FR Plastic Case	PC Plastic Case
Ingress Protection	IP66*	IP66*
Termination	0.28-2.5mm ² cable	0.28-2.5mm ² cable
Environment Category	Type A/B	Type A/B
Compliance	EN54-3:2001 Fire Alarm Device-Sounder	

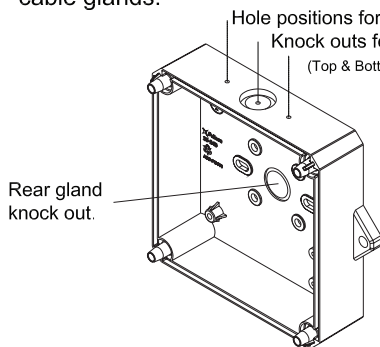
Note: Polar dispersion information available in the technical manual. (Ref:M04-005)

*Device not EN54 certified to IP66. Manufacturer's declaration.



1. Installation

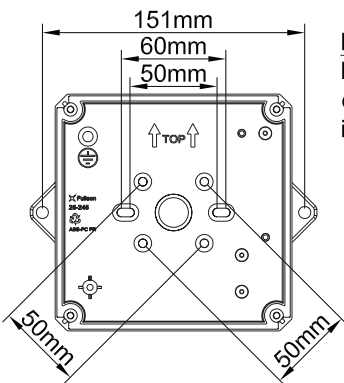
Knockout or drill required cable gland holes, and fix required cable glands.



NOTE: Ensure that the IP integrity is maintained during gland fitting.

2. Fixing Details

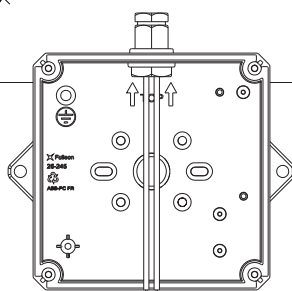
Fix base to wall using the two external lugs, or to a suitable junction box using the positions indicated in the base.



NOTE: If the internal fixing holes are being used ensure that the IP integrity is maintained.

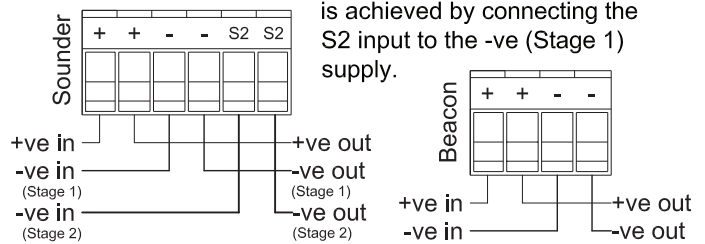
3. Cable Preparation

Cut cable to ±130mm. (use the opposite side of the base as a guide)



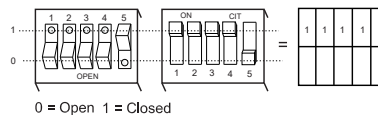
4. Connection Details

Remove the terminal blocks from the sounder PCB for cable wiring.



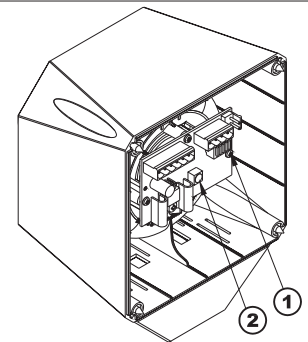
5. Sounder Settings

1. Tone select switch

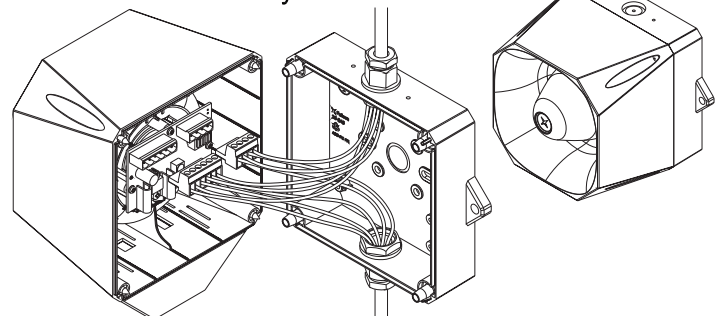


2. Volume Control

Turn dial clockwise to increase volume. (Nominal 10dB range)



6. Sounder Assembly



1. Plug the 4 way terminal block into the 4 way header and the 6 way terminal block into the 6 way header on the sounder PCB.
2. Secure the sounder to the base using the bolts provided.

Asserta Midi Sounder Tones Table

Primary Tone	Secondary Tone	CODE	TONE					Eaton internal measurements on axis and not 3rd party verified						EN54-3 Min SPL @ 60Vdc @Max Volume @Loudest node dB(A)		
								Stage 1 & 2		12Vdc		24Vdc			48Vdc	
								I (mA)	dB(A)@1m	I (mA)	dB(A)@1m	I (mA)	dB(A)@1m			
1	14	11111	Alternating	800 & 970	2Hz (250ms-250ms)	BS5839 Part 1 1988		15	102	32	108	35	109	*		
2	14	11110	Sweep	800 & 970	7Hz (7/s)	Fast Sweep (LF) BS5839 Part 1 1988		11	101	24	107	26	108	*		
3	14	11101	Sweep	800 & 970	1Hz (1/s)	Medium Sweep (LF) BS5839 Part 1 1988		13	99	31	105	38	106	102		
4	14	11100	Continuous	2850	Steady			19	101	40	107	44	108	*		
5	4	11011	Sweep	2400 to 2850	7Hz	Fast Sweep		15	101	31	107	35	108	*		
6	4	11010	Sweep	2400 to 2850	1Hz			15	102	31	109	35	110	*		
7	14	11001	Slow Whoop	300 to 1200	3s sweep, 0.5s silence, repeated	Slow Whoop		10	101	23	107	27	108	106		
8	14	11000	Sweep	1200 to 500	1Hz	Din Tone		12	100	28	106	33	107	105		
9	4	10111	Alternating	2400 & 2850	2Hz (250ms-250ms)			16	102	35	108	38	109	*		
10	14	10110	Intermittent	970	0.5Hz (1s On/1s Off)	Back-up Alarm (LF) BS5839 Part 1 1988		13	102	30	108	33	109	*		
11	14	10101	Alternating	800 & 970	1Hz (500ms-500ms)	BS5839 Part 1 1988		15	102	33	108	37	109	*		
12	4	10100	Intermittent	2850	0.5Hz (1s On/1s Off)	Back-up Alarm (HF)		13	101	29	107	32	108	*		
13	14	10011	Intermittent	970	0.8Hz (250ms On/1s Off)	BS5839 Part 1 1988		6	102	14	108	16	109	*		
14	1	10010	Continuous	970	Steady	BS5839 Part 1 1988		13	100	34	106	33	107	105		
15	14	10001	Alternating	554 & 440	100ms-400ms	French Fire Sound		13	102	32	108	36	108	*		
16	19	10000	Intermittent	660	3.3Hz (150ms On/150ms Off)	Swedish Alarm Tone		8	100	17	106	21	107	*		
17	19	01111	Intermittent	660	0.28Hz (1.8s On/1.8s Off)	Swedish Alarm Tone		11	101	26	106	29	108	*		
18	19	01110	Intermittent	660	0.05Hz (6.5s On/13s Off)	Swedish Alarm Tone		13	101	30	107	32	108	*		
19	1	01101	Continuous	660	Steady	Swedish Alarm Tone		13	101	30	107	33	108	*		
20	19	01100	Alternating	554 & 440	0.5Hz (1s On/1s Off)	Swedish Alarm Tone		13	102	32	107	35	108	*		
21	14	01011	Intermittent	660	1Hz (500ms-500ms)	Swedish Alarm Tone		9	101	20	106	23	108	*		
22	14	01010	Intermittent	2850	4Hz (150ms On/100ms Off)	Pelican Crossing		12	100	25	106	28	107	*		
23	14	01001	Sweep	800 to 970	50Hz	Low Frequency Buzz BS5839 Part 1 1988		11	101	24	107	26	108	*		
24	4	01000	Sweep	2400 to 2850	50Hz	High Frequency Buzz		15	100	31	107	34	108	*		
25	14	00111	Intermittent	970	500mS On/500mS Off	ISO 8201 Low Frequency		11	102	25	108	29	109	*		
26	14	00110	Intermittent	2850	500mS On/500mS Off	ISO 8201 High Frequency		12	101	25	107	28	108	*		
27	14	00101	Continuous	4000	Steady			16	99	32	105	39	106	*		
28	10	00100	Alternating	800 & 970	2Hz (250ms-250ms)	FP1063.1-Telecom		14	102	32	108	36	109	*		
29	988Hz	00011	Alternating	990 & 650	2Hz (250ms-250ms)	Symphoni Tones		13	99	28	105	33	106	103		
30	510Hz	00010	Alternating	510 & 610	2Hz (250ms-250ms)	Squashni Micro		11	98	30	104	35	105	103		
31	14	00001	Sweep	300 to 1200	1Hz			16	103	41	109	44	110	*		
32	510Hz	00000	Alternating	510 & 610	1Hz (500ms-500ms)			14	103	34	108	38	109	*		