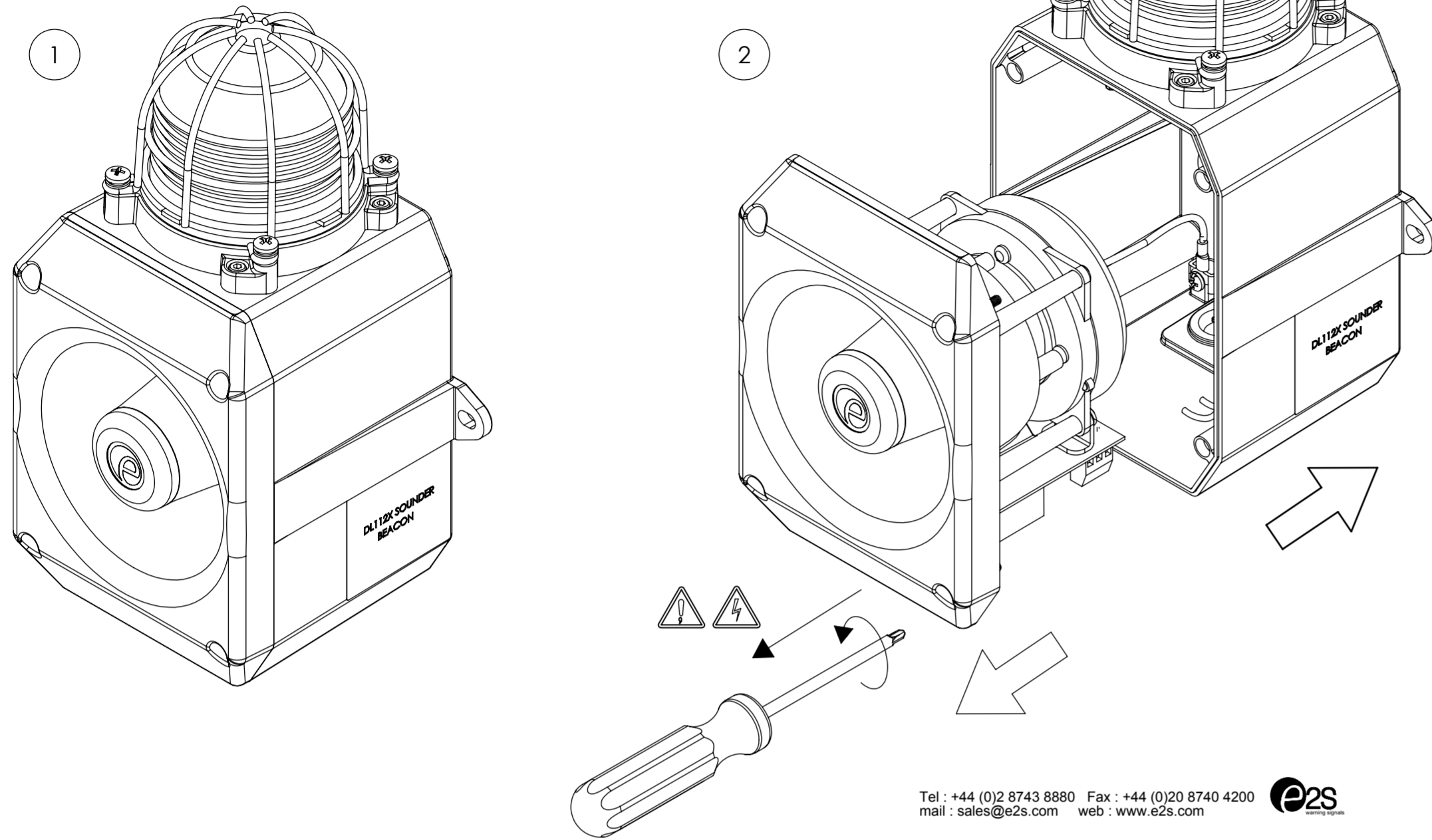
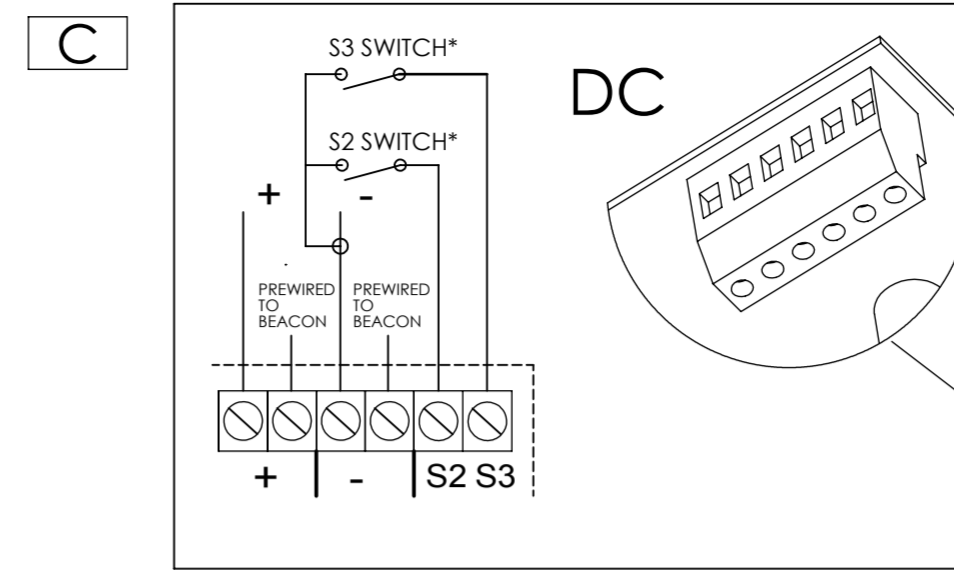


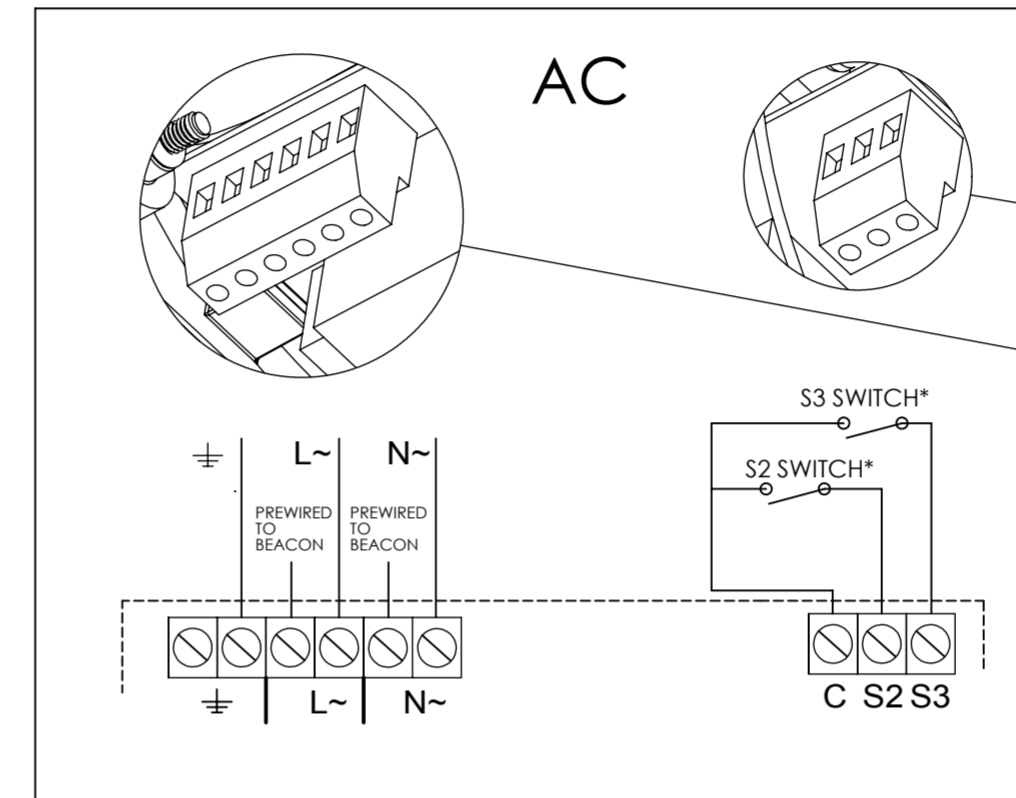
A Alert Alarm DL112X



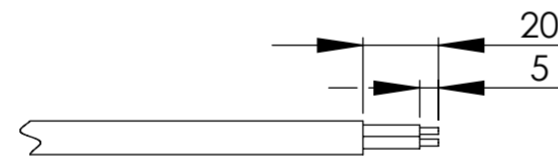
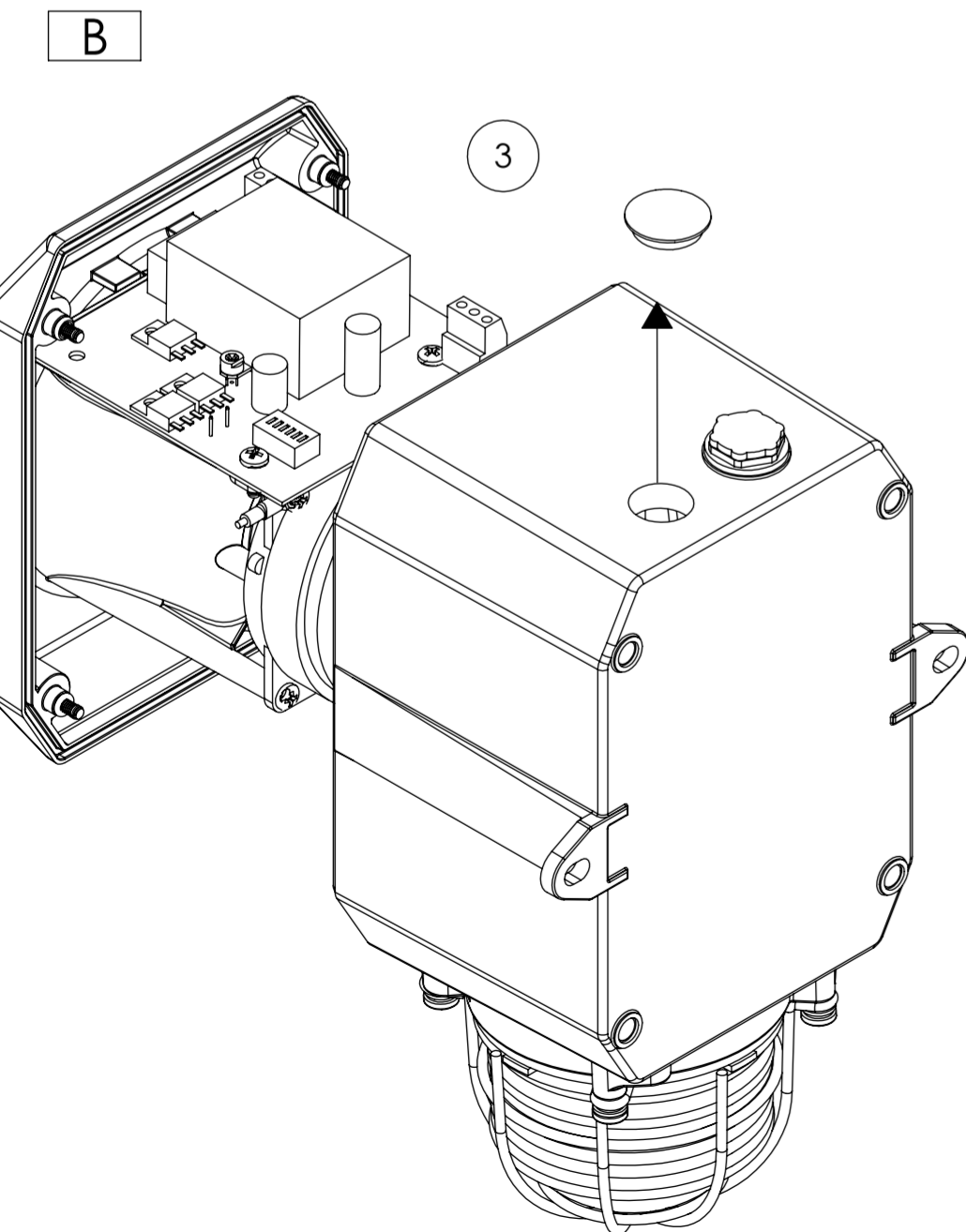
Tel : +44 (0)2 8743 8880 Fax : +44 (0)20 8740 4200
mail : sales@e2s.com web : www.e2s.com



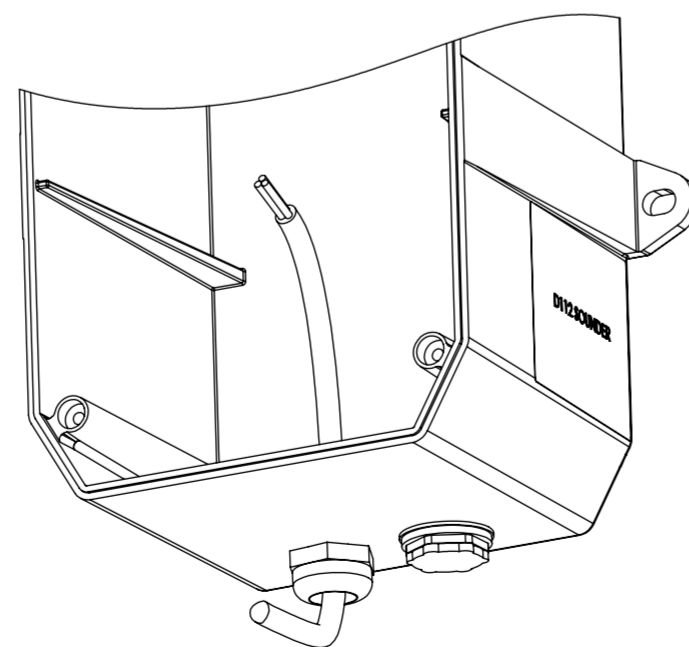
TERMINAL BLOCK	A/C INPUT	D/C INPUT
	⊕	
N/-	N~	-
L/+	L~	+
S2	SWITCH TO C	SWITCH TO -
S3	SWITCH TO C	SWITCH TO -



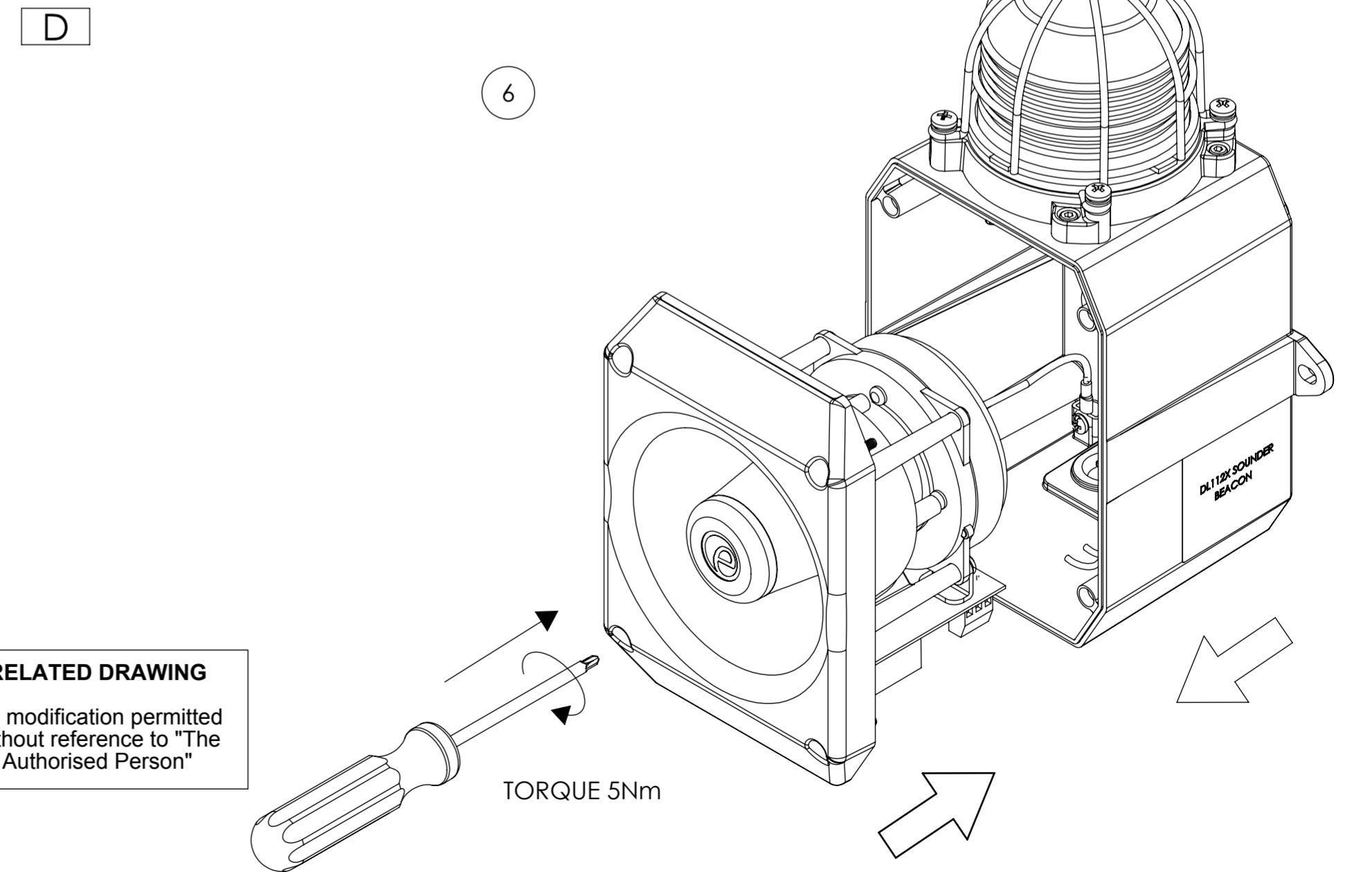
*S2 & S3 Denote Stage 2 & Stage 3 respectively
Stage switches are customer supplied



4 INSERT CABLE THROUGH SUITABLY SIZED M20 CABLE GLAND, CUSTOMER SUPPLIED, THEN STRIP CABLE TO LENGTH.



Dimensions in mm



RELATED DRAWING
No modification permitted
without reference to "The
Authorised Person"

TORQUE 5Nm

D173-00-101-IS_SHT2_ISSUE_2



A

Alert Alarm

DL112X Metal Sounder Xenon Beacon
 45 Selectable Tones & 3 Stages
 5J Xenon Flash Tube
 Three Modes: Flashing 1Hz,
 Flashing 1.5Hz (DC units only),
 Double Strike (DC Units Only).

DL112X

Dimensions : 268 x 130 x 125mm
 1.5mm² terminals
 Cable entry: 2-off M20 x 1.5mm
 threaded holes.
 Temp: -25°C to +55C
 Unit weight: ac = 3.1Kg; dc =
 2.8Kg

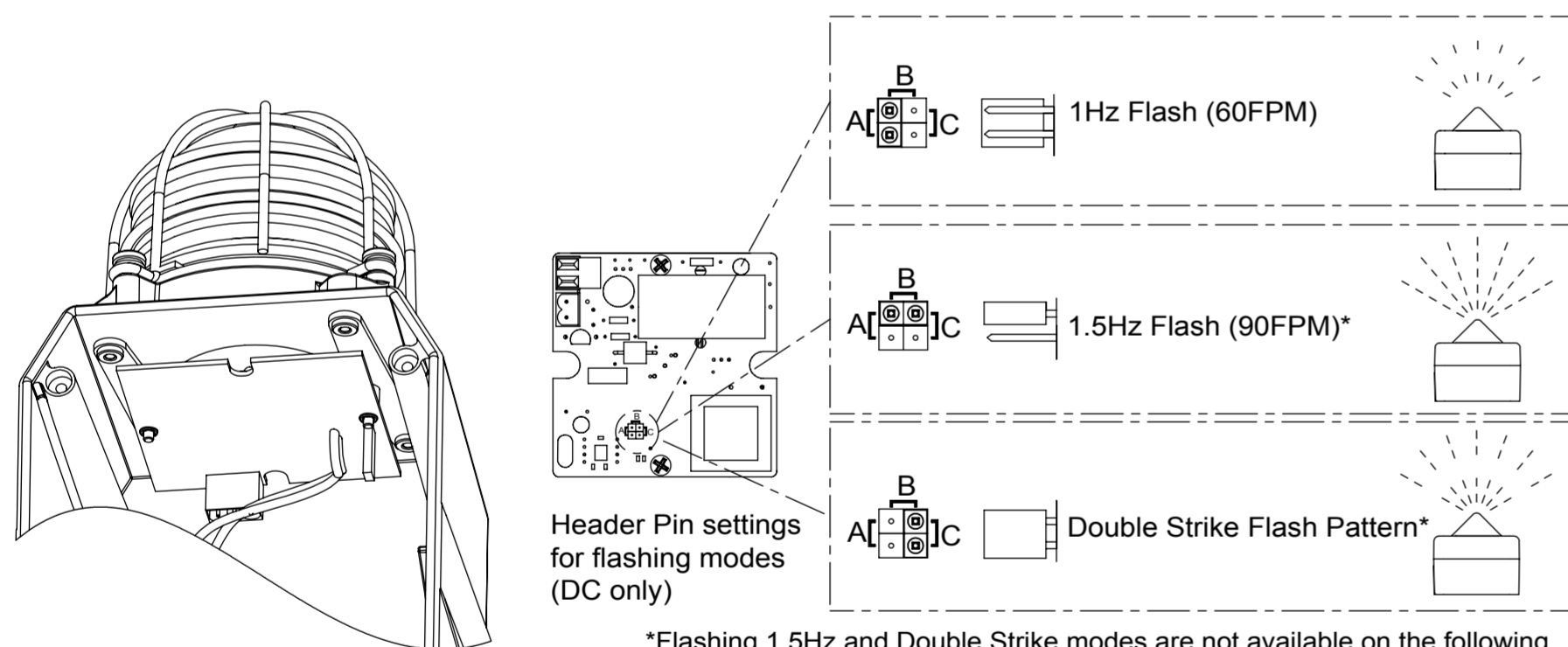
CE
 IP Rating: IP66

Order code	Voltage Range	Nominal Voltage	Sounder Current	Beacon Current
DL112XDC012[X]/[Y]	10-14 V dc	12 V dc	200mA	380mA
DL112XDC024[X]/[Y]	20-28V dc	24 V dc	200mA	250mA
DL112XDC048[X]/[Y]	42-54V dc	48 V dc	120mA	175mA
DL112XAC024[X]/[Y]	24 ±10% V ac	24 V ac	500mA	300mA
DL112XAC115[X]/[Y]	115 ±10% V ac	115 V ac	100mA	70mA
DL112XAC230[X]/[Y]	230 ±10% V ac	230 V ac	60mA	35mA

UL Approved units
 IP Rating: Type 4 / 4X / 3R / 13, IP66

Order code	Voltage Range	Nominal Voltage	Sounder Current	Beacon Current
DL112XDC012[X]/[Y]-UL	10-14 V dc	12 V dc	200mA	380mA
DL112XDC024[X]/[Y]-UL	20-28V dc	24 V dc	200mA	250mA
DL112XDC048[X]/[Y]-UL	42-54V dc	48 V dc	120mA	175mA
DL112XAC024[X]/[Y]-UL	24 ±10% V ac	24 V ac	500mA	300mA
DL112XAC115[X]/[Y]-UL	115 ±10% V ac	115 V ac	100mA	70mA
DL112XAC230[X]/[Y]-UL	230 ±10% V ac	230 V ac	60mA	35mA

[X] Denotes Body Colour: R = Red; G = Grey; D = Dark Grey
 [Y] Denotes Lens Colour: A = Amber; B = Blue; C = Clear; G = Green; R = Red; Y = Yellow



Tel : +44 (0)2 8743 8880 Fax : +44 (0)20 8740 4200
 mail : sales@e2s.com web : www.e2s.com



C

STAGE 1	FREQUENCY DESCRIPTION	Switch	Stage 2	Stage 3
Tone 1	340 Hz Continuous		Tone 2	Tone 5
Tone 2	800/1000Hz @ 0.25 sec Alternating		Tone 17	Tone 5
Tone 3	500/1200Hz @ 0.3Hz 0.5 sec Slow Whoop		Tone 2	Tone 5
Tone 4	800/1000Hz @ 1Hz Sw eeping		Tone 6	Tone 5
Tone 5	2400Hz Continuous		Tone 3	Tone 20
Tone 6	2400/2900Hz @ 7Hz Sw eeping		Tone 7	Tone 5
Tone 7	2400/2900Hz @ 1Hz Sw eeping		Tone 10	Tone 5
Tone 8	500/1200/500Hz @ 0.3Hz Sw eeping		Tone 2	Tone 5
Tone 9	1200/500Hz @ 1Hz - DIN / PFEER P.T.A.P.		Tone 15	Tone 2
Tone 10	2400/2900Hz @ 2Hz Alternating		Tone 7	Tone 5
Tone 11	1000Hz @ 1Hz Intermittent		Tone 2	Tone 5
Tone 12	800/1000Hz @ 0.875Hz Alternating		Tone 4	Tone 5
Tone 13	2400Hz @ 1Hz Intermittent		Tone 15	Tone 5
Tone 14	800Hz 0.25sec on, 1 sec off Intermittent		Tone 4	Tone 5
Tone 15	800Hz Continuous		Tone 2	Tone 5
Tone 16	660Hz 150mS on, 150mS off Intermittent		Tone 18	Tone 5
Tone 17	544Hz (100mS)/440Hz (400mS) - NF S 32-001		Tone 2	Tone 27
Tone 18	660Hz 1.8sec on, 1.8sec off Intermittent		Tone 2	Tone 5
Tone 19	1.4KHz-1.6KHz 1s, 1.6KHz-1.4KHz 0.5s -NFC48-265		Tone 2	Tone 5
Tone 20	660Hz Continuous		Tone 2	Tone 5
Tone 21	554Hz/440Hz @ 1Hz Alternating		Tone 2	Tone 5
Tone 22	544Hz @ 0.875 sec. Intermittent		Tone 2	Tone 5
Tone 23	800Hz @ 2Hz Intermittent		Tone 6	Tone 5
Tone 24	800/1000Hz @ 50Hz Sw eeping		Tone 29	Tone 5
Tone 25	2400/2900Hz @ 50Hz Sw eeping		Tone 29	Tone 5
Tone 26	Bell		Tone 2	Tone 15
Tone 27	554Hz Continuous		Tone 26	Tone 5
Tone 28	440Hz Continuous		Tone 2	Tone 5
Tone 29	800/1000Hz @ 7Hz Sw eeping		Tone 7	Tone 5
Tone 30	300Hz Continuous		Tone 2	Tone 5
Tone 31	660/1200Hz @ 1Hz Sw eeping		Tone 26	Tone 5
Tone 32	Two tone chime.		Tone 26	Tone 15
Tone 33	745Hz @ 1Hz Intermittent		Tone 2	Tone 5
Tone 34	1000 & 2000Hz @ 0.5 sec Alternating - Singapore		Tone 38	Tone 45
Tone 35	420Hz @ 0.625 sec Australian Alert		Tone 36	Tone 5
Tone 36	500-1200Hz 3.75sec /0.25sec. Australian Evac.		Tone 35	Tone 5
Tone 37	1000Hz Continuous - PFEER Toxic Gas		Tone 9	Tone 45
Tone 38	2000Hz Continuous		Tone 34	Tone 45
Tone 39	800Hz 0.25sec on, 1 sec off Intermittent		Tone 23	Tone 17
Tone 40	544Hz (100mS)/440Hz (400mS) - NF S 32-001		Tone 31	Tone 27
Tone 41	Motor Siren - slow rise to 1200 Hz		Tone 2	Tone 5
Tone 42	Motor Siren - slow rise to 800 Hz		Tone 2	Tone 5
Tone 43	1200 Hz Continuous		Tone 2	Tone 5
Tone 44	Motor Siren - slow rise to 2400 Hz		Tone 2	Tone 5
Tone 45	1KHz 1s on, 1s off Intermittent - PFEER Gen. Alarm		Tone 38	Tone 34

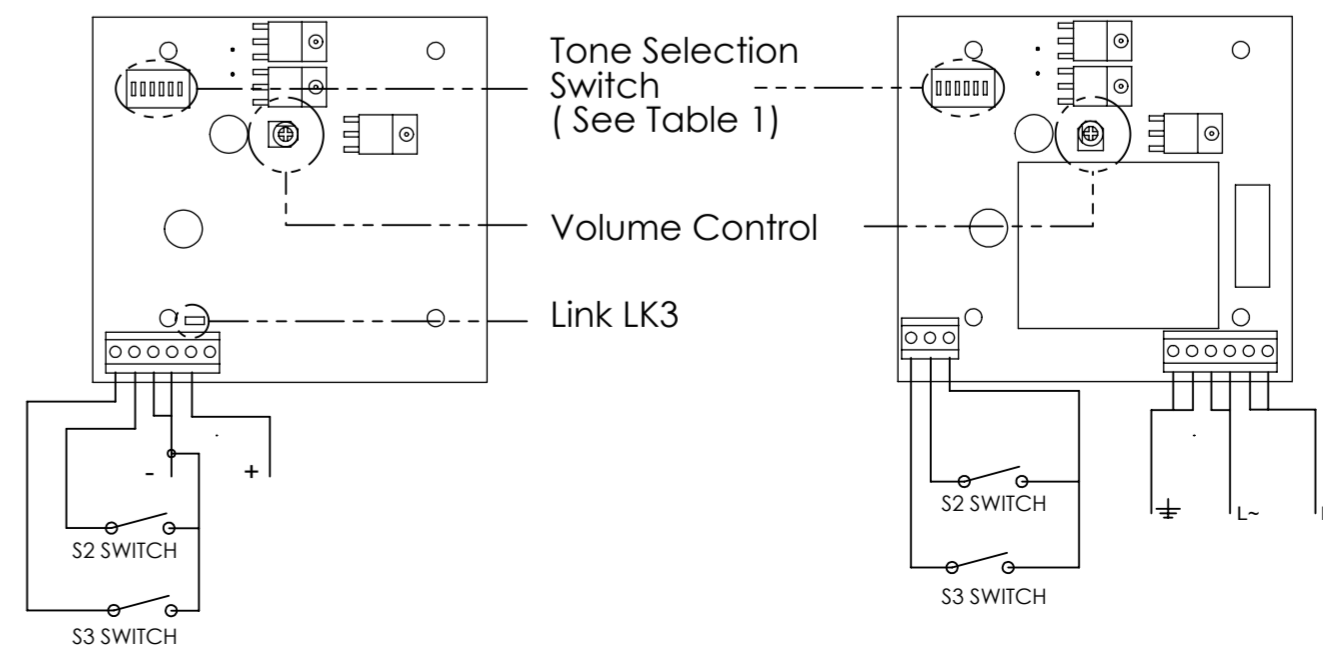
NOTE: Please check factory settings and ensure the correct alarm tone is selected for your country or application

Tone Selection / Switch Setting - Switch settings are shown in the tone selection table. Black squares are the switch levers in the ON positions

Reverse Polarity Switching - On DC versions the second stage alarm tone can be selected by reversing the polarity of the supply voltage if switch 6 is in the ON position if Link LK3 is present.

DC CIRCUIT

AC CIRCUIT



RELATED DRAWING

No modification permitted without reference to "The Authorised Person"

B

- ATTENTION:** Installation must be carried out by an electrician in compliance with the latest codes and regulations.
- ATTENTION:** Disconnect from power source before installation or service to prevent electric shock.
- ATTENTION:** On strobe beacons allow a minimum of 2 minutes for hazardous high voltage to discharge from unit.



No liability is accepted for any consequences of the use of this document. The technical specification of this unit is subject to change without notice due to our policy of continual product development. All dimensions/weights are approximate. This unit is sold subject to our standard conditions of sale, a copy of which is available on request.

