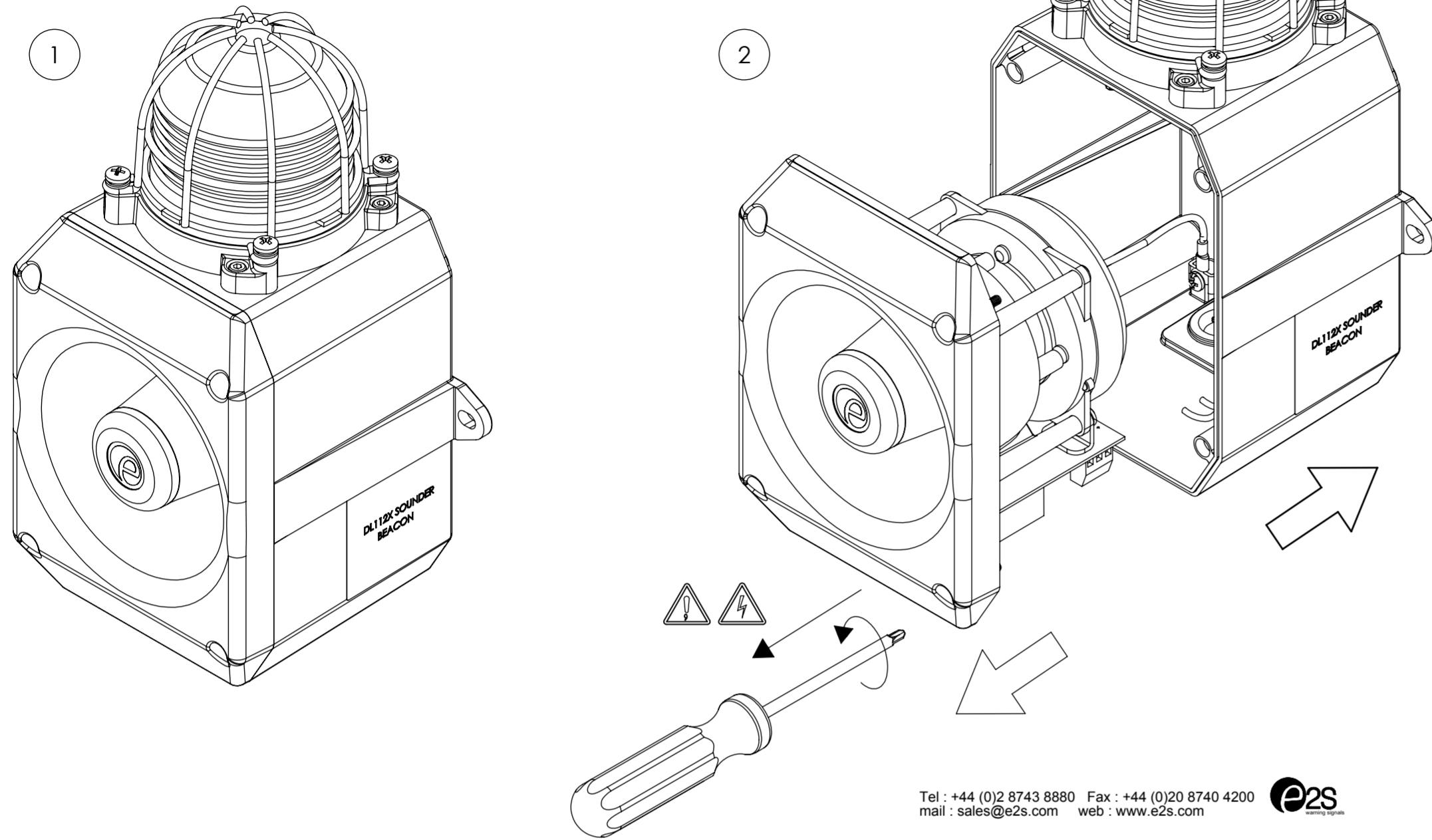


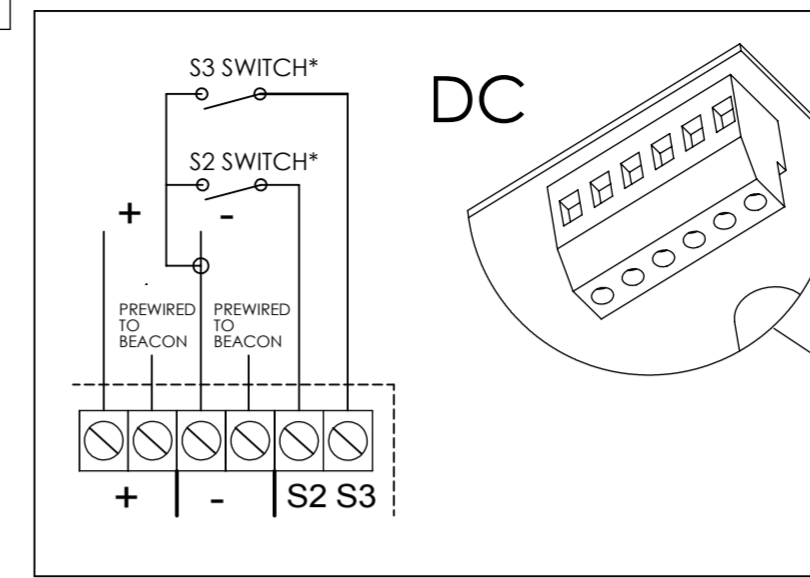
A Alert Alarm DL112H



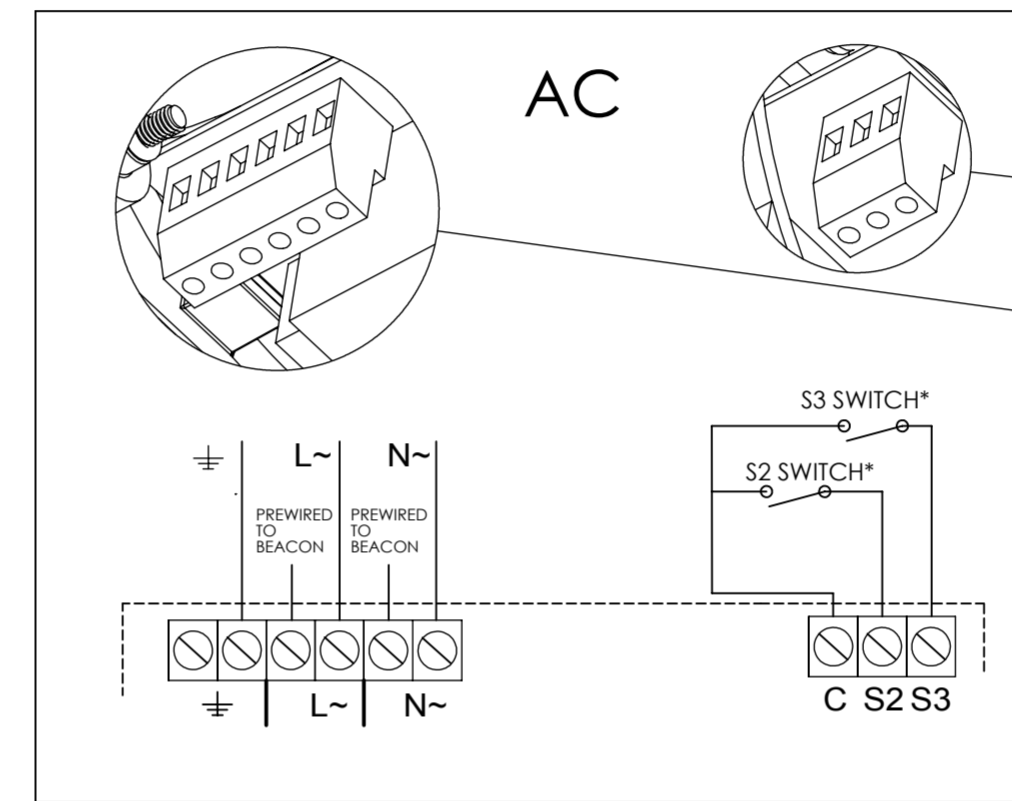
Tel : +44 (0)2 8743 8880 Fax : +44 (0)20 8740 4200
mail : sales@e2s.com web : www.e2s.com



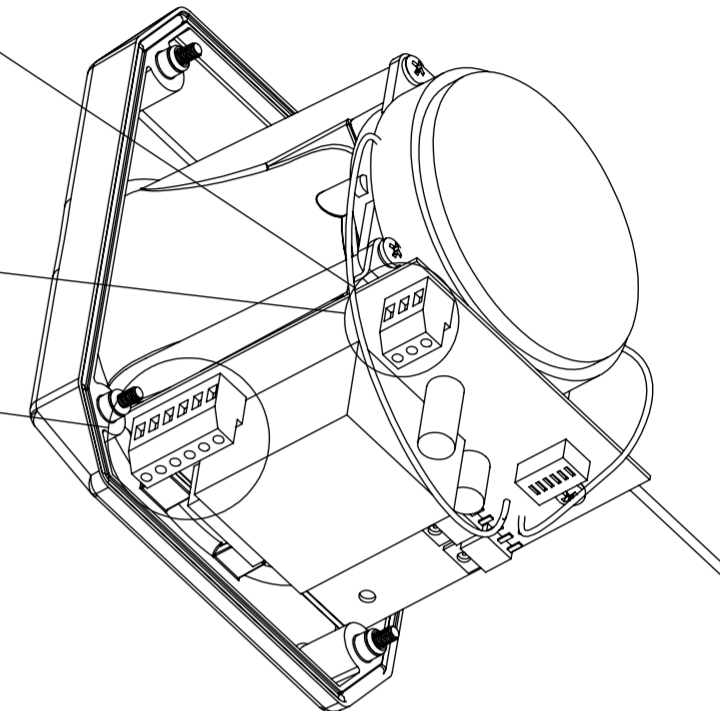
C



| TERMINAL BLOCK | A/C INPUT | D/C INPUT |
|----------------|-------------|-------------|
| | ⊕ | |
| N/- | N~ | - |
| L/+ | L~ | + |
| S2 | SWITCH TO C | SWITCH TO - |
| S3 | SWITCH TO C | SWITCH TO - |



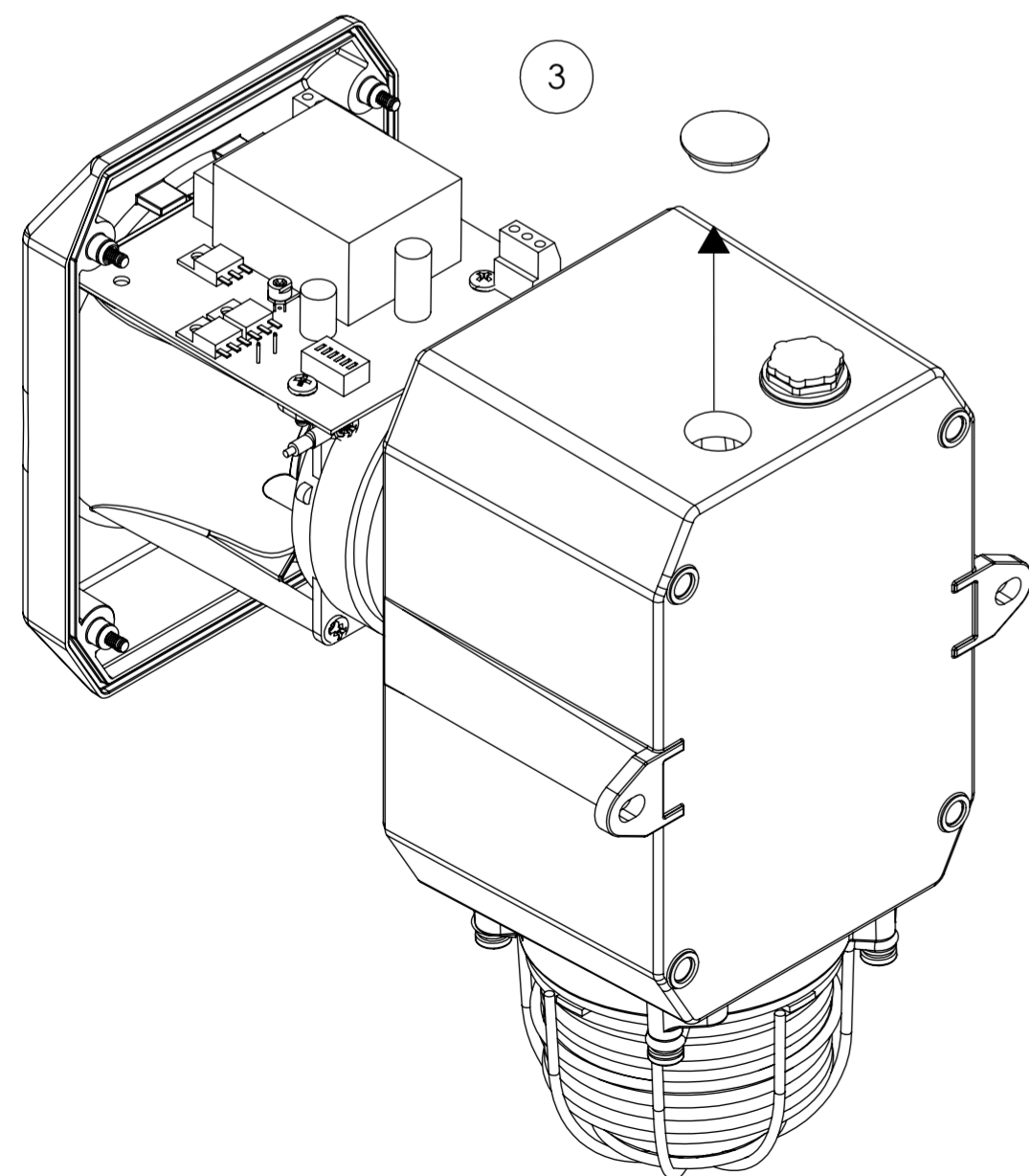
5 CONNECT CABLE AS SHOWN



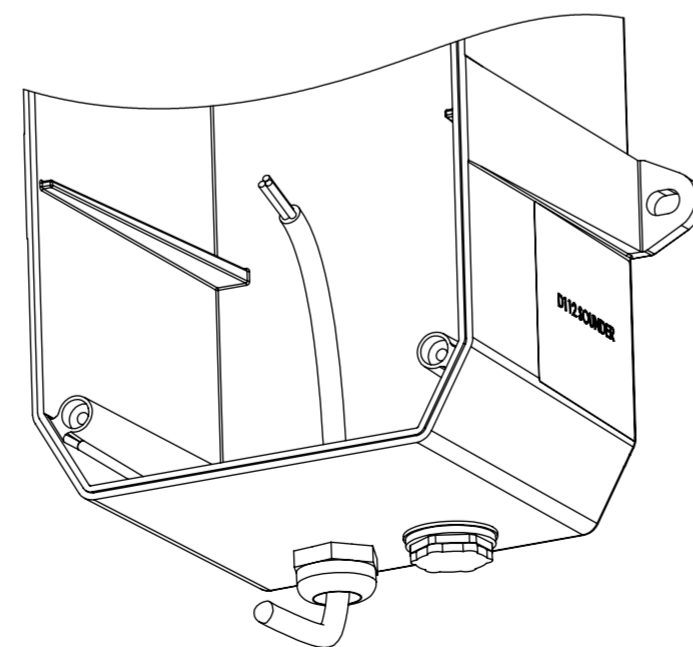
*S2 & S3 Denote Stage 2 & Stage 3 respectively
Stage switches are customer supplied



B



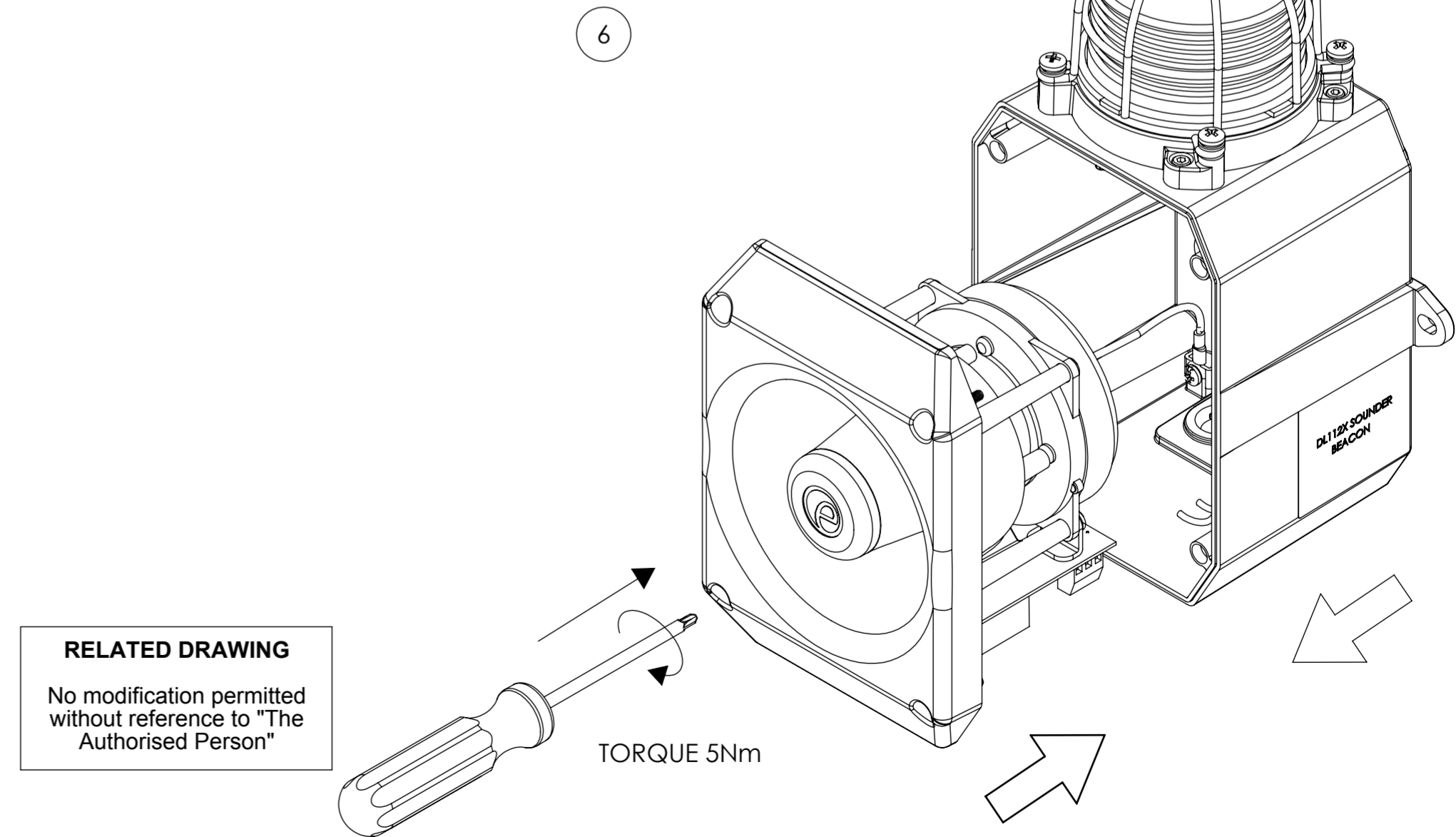
4 INSERT CABLE THROUGH SUITABLY SIZED M20 CABLE GLAND, CUSTOMER SUPPLIED, THEN STRIP CABLE TO LENGTH.



Dimensions in mm



D



RELATED DRAWING
No modification permitted without reference to "The Authorised Person"

TORQUE 5Nm



A

Alert Alarm

DL112H Metal Sounder LED Beacon
 45 Selectable Tones & 3 Stages
 24 x High Powered LEDs
 Two Modes: Steady, Flashing 2Hz

CE
 IP Rating: IP66

| Order code | Voltage Range | Nominal Voltage | Sounder Current | Beacon Current |
|--------------------|---------------|-----------------|-----------------|----------------|
| DL112HDC024[X]/[Y] | 12-30V dc | 24 V dc | 200mA | 157mA |
| DL112HDC048[X]/[Y] | 35-60V dc | 48 V dc | 120mA | 55mA |
| DL112HAC115[X]/[Y] | 115 ±10% V ac | 115 V ac | 100mA | 60mA |
| DL112HAC230[X]/[Y] | 230 ±10% V ac | 230 V ac | 60mA | 35mA |

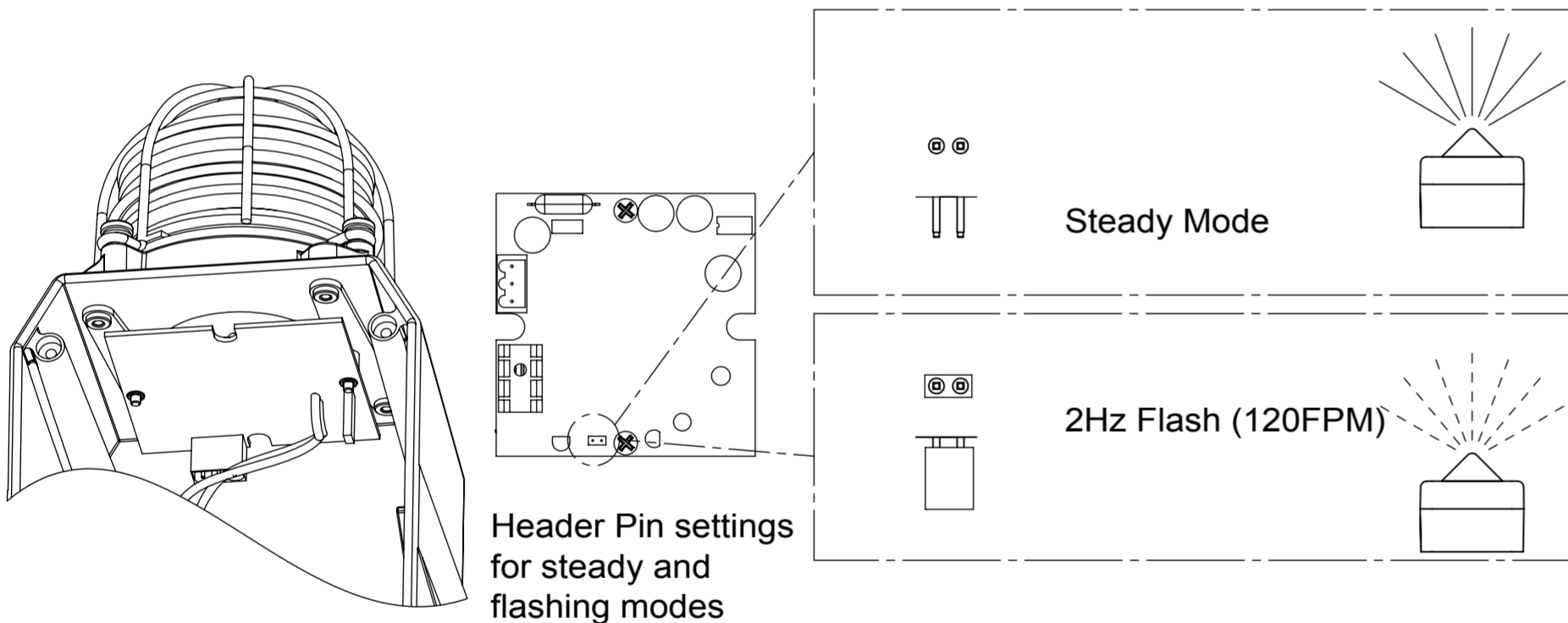
UL Approved units
 IP Rating: Type 4 / 4X / 3R / 13, IP66

| Order code | Voltage Range | Nominal Voltage | Sounder Current | Beacon Current |
|-----------------------|---------------|-----------------|-----------------|----------------|
| DL112HDC024[X]/[Y]-UL | 12-30V dc | 24 V dc | 200mA | 157mA |
| DL112HDC048[X]/[Y]-UL | 35-60V dc | 48 V dc | 120mA | 55mA |
| DL112HAC115[X]/[Y]-UL | 115 ±10% V ac | 115 V ac | 100mA | 60mA |
| DL112HAC230[X]/[Y]-UL | 230 ±10% V ac | 230 V ac | 60mA | 35mA |

[X] Denotes Body Colour: R = Red; G = Grey; D = Dark Grey
 [Y] Denotes Lens Colour: A = Amber; B = Blue; C = Clear; G = Green; R = Red; Y = Yellow

DL112H

Dimensions : 268 x 130 x 125mm
 1.5mm² terminals
 Cable entry: 2-off M20 x 1.5mm threaded holes.
 Temp: -25°C to +55C
 Unit weight: ac = 3.1Kg; dc = 2.8Kg



Tel : +44 (0)2 8743 8880 Fax : +44 (0)20 8740 4200
 mail : sales@e2s.com web : www.e2s.com



C

Table 1 - Tone Selection

| STAGE 1 | FREQUENCY DESCRIPTION | Switch | Stage 2 | Stage 3 |
|---------|--|--------|---------|---------|
| Tone 1 | 340 Hz Continuous | | Tone 2 | Tone 5 |
| Tone 2 | 800/1000Hz @ 0.25 sec Alternating | ■ | Tone 17 | Tone 5 |
| Tone 3 | 500/1200Hz @ 0.3Hz 0.5 sec Slow Whoop | ■ | Tone 2 | Tone 5 |
| Tone 4 | 800/1000Hz @ 1Hz Sw eeping | ■ | Tone 6 | Tone 5 |
| Tone 5 | 2400Hz Continuous | ■ | Tone 3 | Tone 20 |
| Tone 6 | 2400/2900Hz @ 7Hz Sw eeping | ■ | Tone 7 | Tone 5 |
| Tone 7 | 2400/2900Hz @ 1Hz Sw eeping | ■ | Tone 10 | Tone 5 |
| Tone 8 | 500/1200/500Hz @ 0.3Hz Sw eeping | ■ | Tone 2 | Tone 5 |
| Tone 9 | 1200/500Hz @ 1Hz - DIN / PFEER P.T.A.P. | ■ | Tone 15 | Tone 2 |
| Tone 10 | 2400/2900Hz @ 2Hz Alternating | ■ | Tone 7 | Tone 5 |
| Tone 11 | 1000Hz @ 1Hz Intermittent | ■ | Tone 2 | Tone 5 |
| Tone 12 | 800/1000Hz @ 0.875Hz Alternating | ■ | Tone 4 | Tone 5 |
| Tone 13 | 2400Hz @ 1Hz Intermittent | ■ | Tone 15 | Tone 5 |
| Tone 14 | 800Hz 0.25sec on, 1 sec off Intermittent | ■ | Tone 4 | Tone 5 |
| Tone 15 | 800Hz Continuous | ■ | Tone 2 | Tone 5 |
| Tone 16 | 660Hz 150mS on, 150mS off Intermittent | ■ | Tone 18 | Tone 5 |
| Tone 17 | 544Hz (100mS)/440Hz (400mS) - NF S 32-001 | ■ | Tone 2 | Tone 27 |
| Tone 18 | 660Hz 1.8sec on, 1.8sec off Intermittent | ■ | Tone 2 | Tone 5 |
| Tone 19 | 1.4KHz-1.6KHz 1s, 1.6KHz-1.4KHz 0.5s -NFC48-265 | ■ | Tone 2 | Tone 5 |
| Tone 20 | 660Hz Continuous | ■ | Tone 2 | Tone 5 |
| Tone 21 | 554Hz/440Hz @ 1Hz Alternating | ■ | Tone 2 | Tone 5 |
| Tone 22 | 544Hz @ 0.875 sec. Intermittent | ■ | Tone 2 | Tone 5 |
| Tone 23 | 800Hz @ 2Hz Intermittent | ■ | Tone 6 | Tone 5 |
| Tone 24 | 800/1000Hz @ 50Hz Sw eeping | ■ | Tone 29 | Tone 5 |
| Tone 25 | 2400/2900Hz @ 50Hz Sw eeping | ■ | Tone 29 | Tone 5 |
| Tone 26 | Bell | ■ | Tone 2 | Tone 15 |
| Tone 27 | 554Hz Continuous | ■ | Tone 26 | Tone 5 |
| Tone 28 | 440Hz Continuous | ■ | Tone 2 | Tone 5 |
| Tone 29 | 800/1000Hz @ 7Hz Sw eeping | ■ | Tone 7 | Tone 5 |
| Tone 30 | 300Hz Continuous | ■ | Tone 2 | Tone 5 |
| Tone 31 | 660/1200Hz @ 1Hz Sw eeping | ■ | Tone 26 | Tone 5 |
| Tone 32 | Two tone chime. | ■ | Tone 26 | Tone 15 |
| Tone 33 | 745Hz @ 1Hz Intermittent | ■ | Tone 2 | Tone 5 |
| Tone 34 | 1000 & 2000Hz @ 0.5 sec Alternating - Singapore | ■ | Tone 38 | Tone 45 |
| Tone 35 | 420Hz @ 0.625 sec Australian Alert | ■ | Tone 36 | Tone 5 |
| Tone 36 | 500-1200Hz 3.75sec /0.25sec. Australian Evac. | ■ | Tone 35 | Tone 5 |
| Tone 37 | 1000Hz Continuous - PFEER Toxic Gas | ■ | Tone 9 | Tone 45 |
| Tone 38 | 2000Hz Continuous | ■ | Tone 34 | Tone 45 |
| Tone 39 | 800Hz 0.25sec on, 1 sec off Intermittent | ■ | Tone 23 | Tone 17 |
| Tone 40 | 544Hz (100mS)/440Hz (400mS) - NF S 32-001 | ■ | Tone 31 | Tone 27 |
| Tone 41 | Motor Siren - slow rise to 1200 Hz | ■ | Tone 2 | Tone 5 |
| Tone 42 | Motor Siren - slow rise to 800 Hz | ■ | Tone 2 | Tone 5 |
| Tone 43 | 1200 Hz Continuous | ■ | Tone 2 | Tone 5 |
| Tone 44 | Motor Siren - slow rise to 2400 Hz | ■ | Tone 2 | Tone 5 |
| Tone 45 | 1KHz 1s on, 1s off Intermittent - PFEER Gen. Alarm | ■ | Tone 38 | Tone 34 |

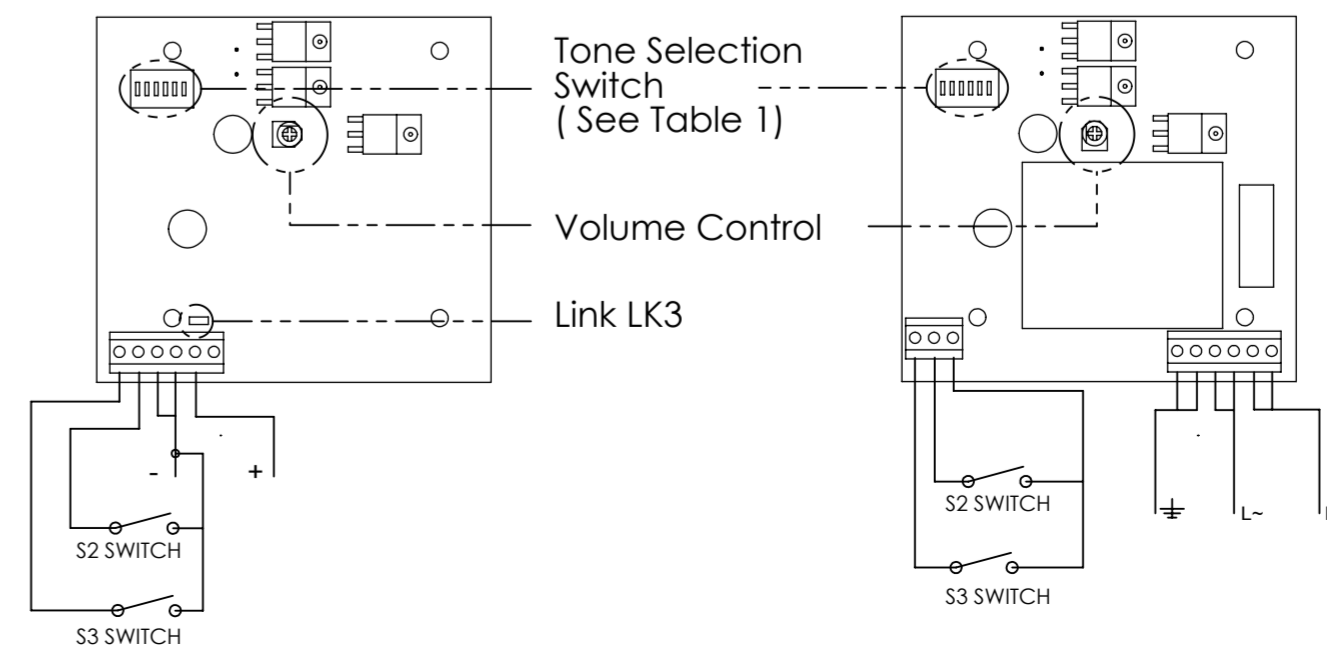
NOTE: Please check factory settings and ensure the correct alarm tone is selected for your country or application

Tone Selection / Switch Setting - Switch settings are shown in the tone selection table. Black squares are the switch levers in the ON positions

Reverse Polarity Switching - On DC versions the second stage alarm tone can be selected by reversing the polarity of the supply voltage if switch 6 is in the ON position if Link LK3 is present.

DC CIRCUIT

AC CIRCUIT



RELATED DRAWING

No modification permitted without reference to "The Authorised Person"

B

ATTENTION: Installation must be carried out by an electrician in compliance with the latest codes and regulations.

ATTENTION: Disconnect from power source before installation or service to prevent electric shock.

