

1

L101H ALERTALIGHT

High Powered LED Array Beacon
 24 x High Powered LEDs
 Two modes : Steady , Flashing 2 Hz
 IP Rating: IP66
 Temp: -25°C to +50°C
 Unit weight: 200g
 CE

Order code Voltage
 L101HDC024[z][x]/[y] 10-30 VDC
 LED Colour Red, Amber

L101HDC024[z][x]/[y] 12-30VDC
 LED Colour Blue, White, Green

L101HAC230[z][x]/[y] 90-260 VAC
 43-60 VDC

Dimensions : 86.0 x 86.0mm
 1.5mm² terminals
 Cable entry: M20 cable entry (IP66)
 Dependant on Back Box selected

[z] = Back Box Type
 B = L101 type M = Multi-purpose type
 A = A100 type S = Sonora type

[y] = LED colour
 R = Red A = Amber
 B = Blue W = White
 G = Green

[x] = Housing colour
 G = Grey R = Red W = White

Tel : +44 (0)2 8743 8880 Fax : +44 (0)20 8740 4200
 mail : sales@e2s.com web : www.e2s.com



3

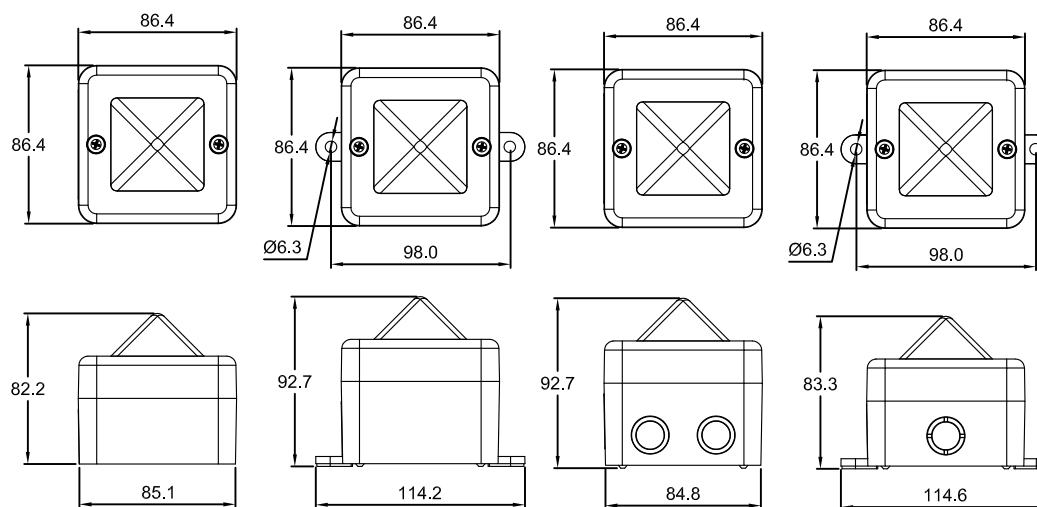
Back Box Type

L101

Multi-purpose

Sonora

A100



2



ATTENTION: Installation must be carried out by an electrician in compliance with the latest codes and regulations.



ATTENTION: Disconnect from power source before installation or service to prevent electric shock.

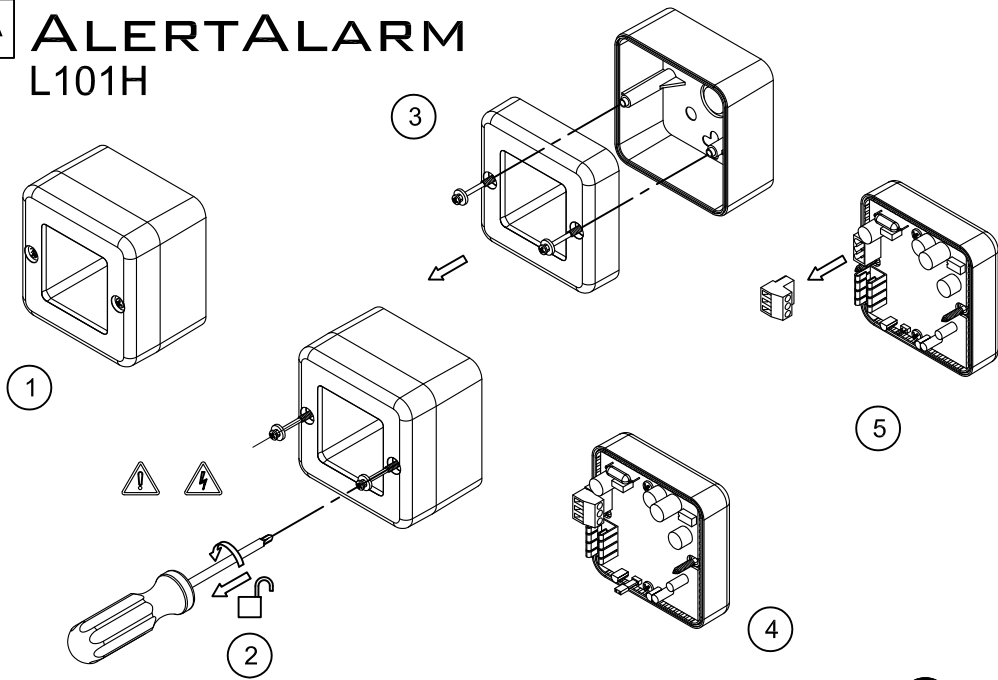


ATTENTION: Lens on unit will be hot allow to cool prior to removal.



D169-00-001-IS_SHT1_ISSUE_D

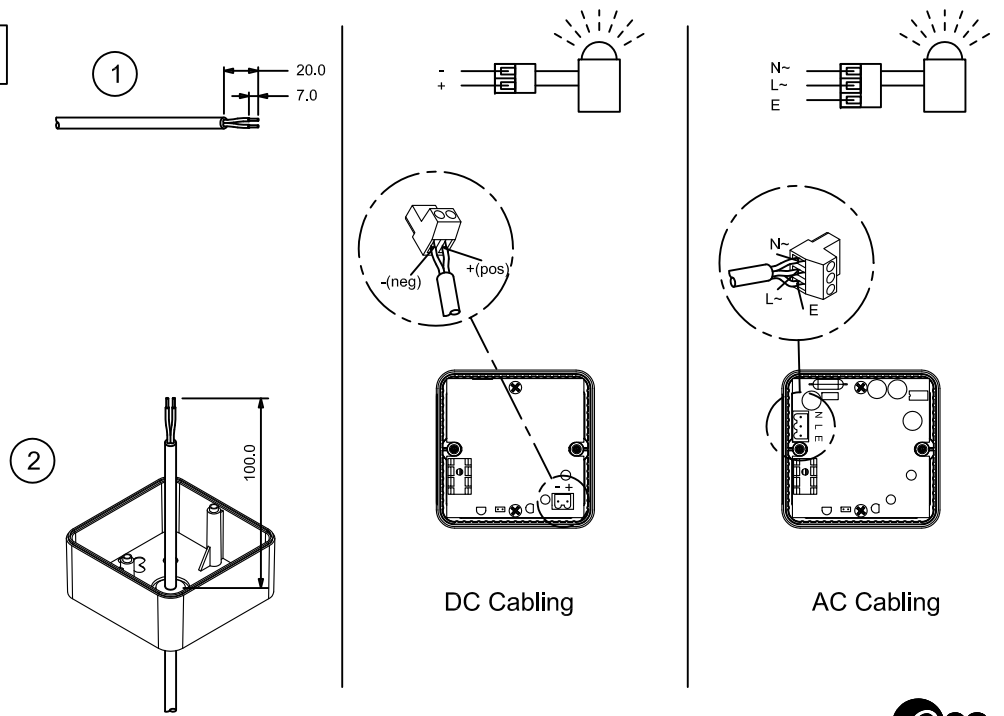
A ALERTALARM L101H



Tel : +44 (0)20 8743 8880 Fax : +44 (0)20 8740 4200
 mail : sales@e2s.com web : www.e2s.com



C

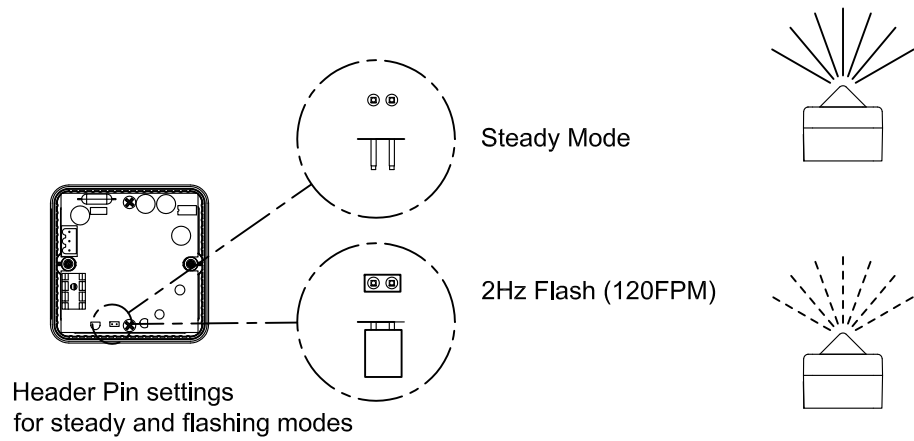


DC Cabling

AC Cabling



B



D

